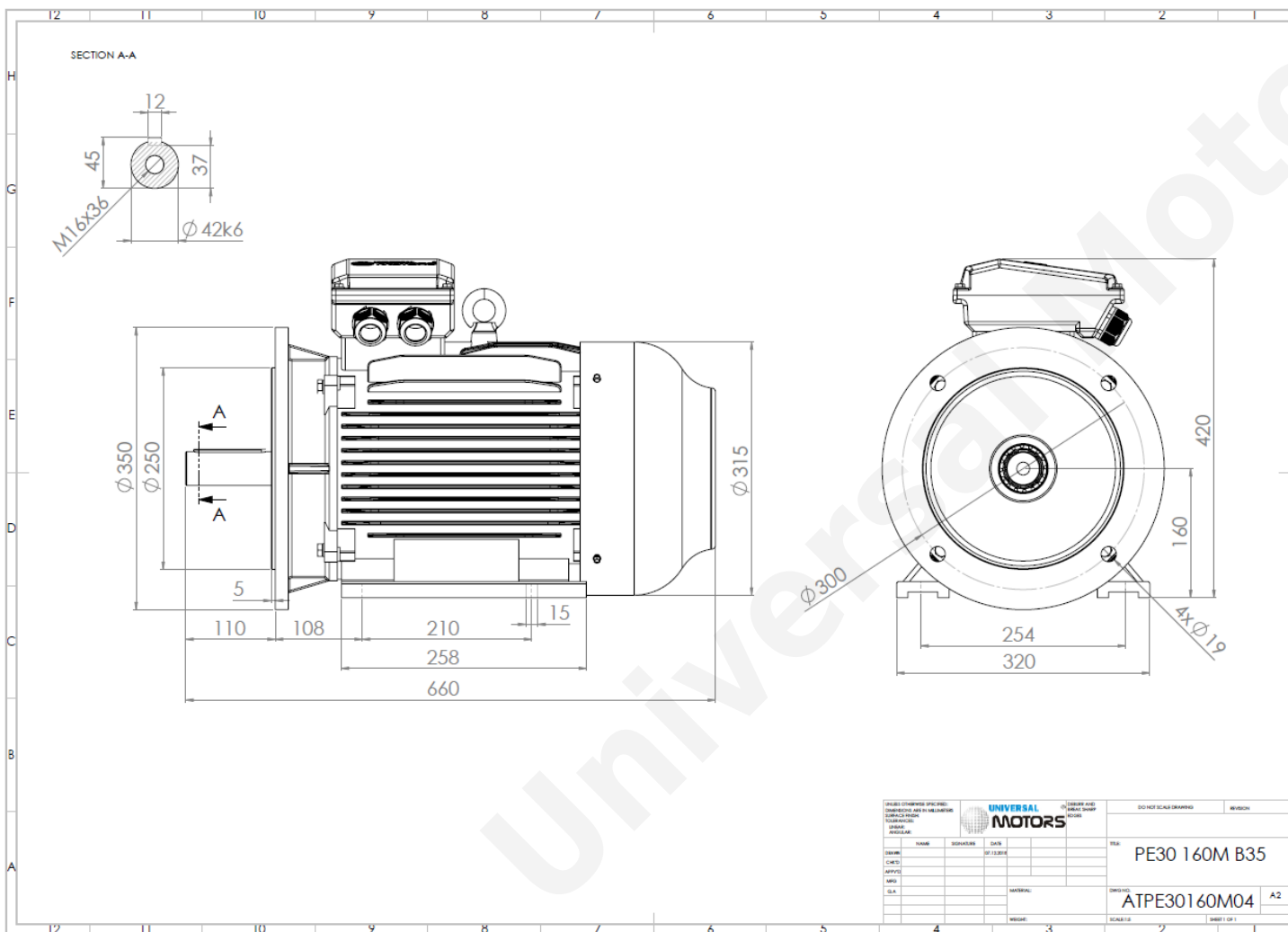




TECHNICAL DATA

Three Phase Electric Motors - Cast Iron Frame
 PE30 160 M2 2 IE3
 15 kW / 20 Cv
 2950 RPM



Motor type:	PE30 160 M2 2 IE3
Output:	15 kW / 20 Cv
Speed (min ⁻¹):	2950 RPM
Frequency:	50 Hz
Voltage:	400 V
Current:	26.5 A
Power factor (Cos Ø):	0.89
Poles:	2
Insulation class:	F
Temperature rise Class:	B
Efficiency 50%:	91.2 %
Efficiency 75%:	92.3 %
Efficiency 100%:	92.0 %
Torque:	49 N.m
Tstarting/Tnominal:	2.0
Istarting/Inominal:	8.1
Tmaximum/Tnominal:	2.3
Noise:	81 Db(A)
Weight:	151 Kg
Bearing DE:	6309 C3
Bearing NDE:	6309 C3

UNIVERSAL MOTORS		UNIVERSAL MOTORS		UNIVERSAL MOTORS	
DESIGNER	DATE	SCALE	REVISION		
	27.12.2016			PE30 160M B35	
MATERIAL			ATPE30160M04 A2		
WEIGHT			SCALE 1:1		

Regime - S1

Altitude - 1000m

Environment Temperature - 40°C

CONTACTS:

UNIVERSAL MOTORS Tel: +351 252 299 080
 Rua de São Brás,745 Fax: +351 252 299 089
 4480-782 VILA DO CONDE Mail: geral@universalmotors.pt

* References applied only in the UK